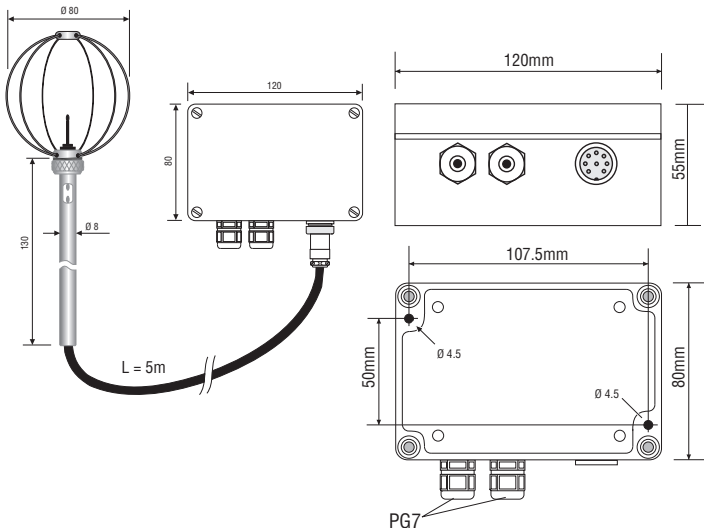




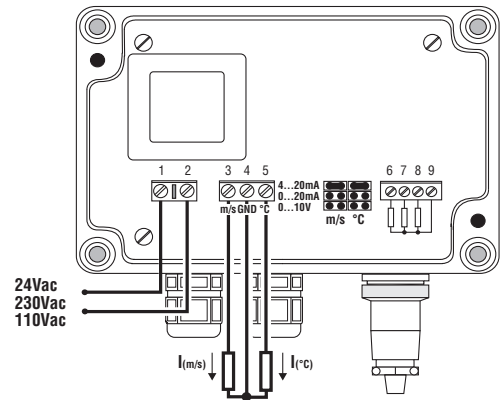
## HD103T.0 ACTIVE AIR SPEED TRANSMITTER

The HD103T.0 measures air speed by using an omnidirectional hotwire probe. It has three configurable analogue outputs: 4...20 mA and 0...20 mA current outputs and 0...10 Vdc voltage output (0...1 Vdc or 0...5 Vdc outputs can be supplied on request). The output can be chosen by using the jumpers inside the instrument.

The sensor set at the top of the probe is very delicate and must be protected with the special protection provided with the instrument. During transport, the sensor is enclosed in a cylinder screwed on the top of the probe; during installation, remove the protection and apply the protective cover in its place.



Technical specifications		Notes
Air speed measuring range	0.1...5 m/s	
Air speed accuracy	range 0.1...0.99m/s range 1...5m/s	a 50%RH and 1013hPa
Temperature measuring range	-10...+80 °C	
Temperature accuracy	range 0...70°C remaining range	±0.3°C ±0.4°C
Output (for both temperature and air speed)	4...20 mA 0...20 mA 0...10 Vdc	0...5 Vdc and 0...1 Vdc outputs on request
Load resistance	$R_L < 500\Omega$ $R_L > 100k\Omega$	for current outputs for voltage outputs
Power supply	24 Vac ±10%, 3VA 50...60 Hz	110 Vac o 230 Vac on request
Operating temperature	electronics probe	-5...+50 °C -10...+80 °C
Compensation temperature	0...+80 °C	
Storage temperature	-10...+80 °C	
Electronics protection class	IP67	
Sensor working conditions	Clean air, RH < 80%	
Case dimensions	120 x 80 x 55	Without probe
Probe cable length	L=5m	



### INSTALLATION NOTES

- Select the type of air speed and temperature output by using the jumpers placed on the board.
- The probe must be used with clean air only and humidity below 80%.
- The transmitters are factory calibrated and no further adjustments are required.
- Each instrument is calibrated with its own probe. Don't mix up probes and instruments: the calibration will have to be repeated.

### Electrical connections

#### Power supply

Power the instrument at the voltage shown in the electrical specifications.

#### Analogue output

The output signal comes from m/s and GND terminals for air speed, from °C and GND for temperature.

### ORDERING CODES

**HD103T.0:** Active air speed and temperature transmitter. Analogue outputs: 4...20 mA, 0...20 mA and 0...10 Vdc selected by jumper.

Omnidirectional probe with wired protective cover  $\varnothing=80$  mm connected to the electronics through a 5 m cable. Air speed range 0.1...5 m/s. Power supply 24 Vac (115 and 230 Vac on request). Probe operating temperature -10...+80 °C, electronics operating temperature -5...+50 °C.

## WARRANTY

The manufacturer is required to respond to the “factory warranty” only in those cases provided by Legislative Decree 6 September 2005 - n. 206. Each instrument is sold after rigorous inspections; if any manufacturing defect is found, it is necessary to contact the distributor where the instrument was purchased from. During the warranty period (24 months from the date of invoice) any manufacturing defects found will be repaired free of charge. Misuse, wear, neglect, lack or inefficient maintenance as well as theft and damage during transport are excluded. Warranty does not apply if changes, tampering or unauthorized repairs are made on the product. Solutions, probes, electrodes and microphones are not guaranteed as the improper use, even for a few minutes, may cause irreparable damages. The manufacturer repairs the products that show defects of construction in accordance with the terms and conditions of warranty included in the manual of the product. For any dispute, the competent court is the Court of Padua. The Italian law and the “Convention on Contracts for the International Sales of Goods” apply

## TECHNICAL INFORMATION

The quality level of our instruments is the result of the continuous product development. This may lead to differences between the information reported in the manual and the instrument you have purchased. We reserves the right to change technical specifications and dimensions to fit the product requirements without prior notice.

## DISPOSAL INFORMATION



Electrical and electronic equipment marked with specific symbol in compliance with 2012/19/EU Directive must be disposed of separately from household waste. European users can hand them over to the dealer or to the manufacturer when purchasing a new electrical and electronic equipment, or to a WEEE collection point designated by local authorities. Illegal disposal is punished by law.

Disposing of electrical and electronic equipment separately from normal waste helps to preserve natural resources and allows materials to be recycled in an environmentally friendly way without risks to human health.

