

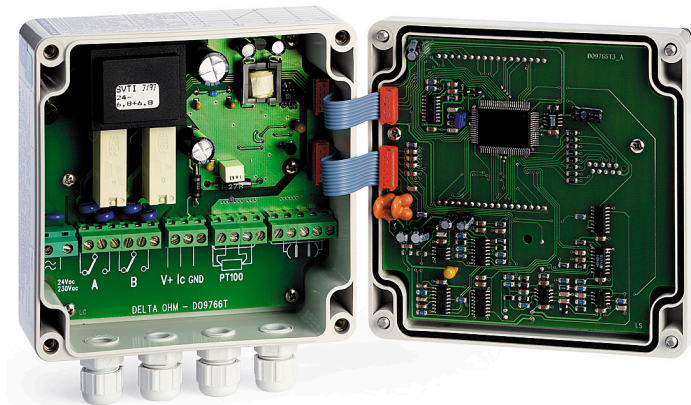
DO9786T-R1, DO9766T-R1



DO9786T-R1, DO9766T-R1 CONDUCTIVITY TRANSMITTERS

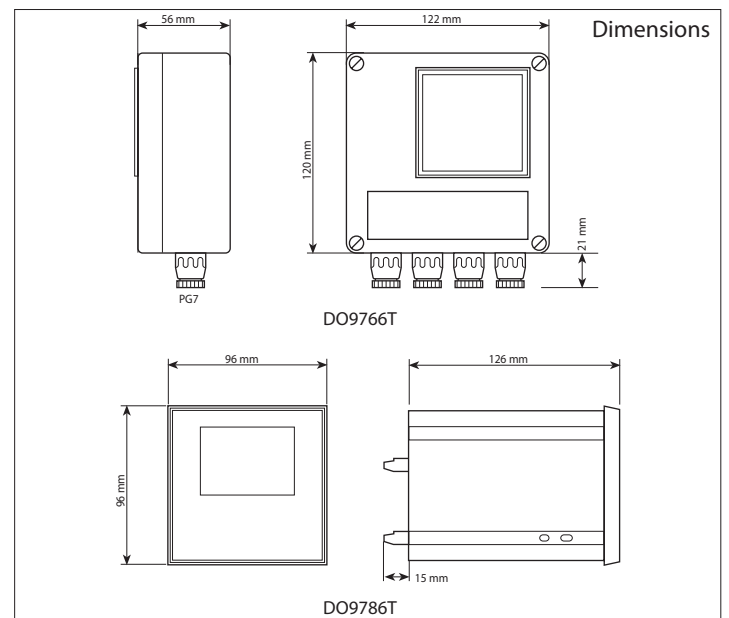
DO9786T-R1 and DO9766T-R1 transmitters convert the output of a conductivity electrode with temperature compensation into a 4...20 mA signal.

The electrode input circuit is galvanically insulated against the 4...20 mA output signal. An LCD indicator allows viewing of the process signal value and of the various parameters. The accurate design and choice of components make the instrument precise and reliable for a long working life. The instrument works in conjunction with a conductivity electrode and a temperature probe (Pt100 sensor, 100 Ω at 0°C) or a combined temperature conductivity probe.



Technical characteristics

Input conductivity	Measuring range	0.0...199.9 mS
	2/4 electrodes	Configurable cell constant 0.0...199.9 cm ⁻¹
	Transducer energizing	Square wave 10...1000 mV, 200...1600 Hz, depending on conductivity
	Input impedance	>100 MΩ
	Cable length	<10 metres unshielded <50 metres shielded (about 2 nF)
	Accuracy	0.5% of reading ±2 digits ±0.01% per °C of drift in temperature
Input temperature	Pt100 2/4 wires	-50...199.9°C
	Transducer energizing	0.5 mA dc
	Cable length	<10 metres unshielded <50 metres shielded (about 5 nF)
	Accuracy	0,2°C ±0,1% of reading ±0,01°C/°C of drift in temperature
Compensation temperature	None	
	Manual	Linear 0.00...4.00%/°C -50...+200 °C
	Automatic	Linear 0.00...4.00%/°C -50...+200 °C
	Reference temperature	20 or 25 °C configurable
Current output	4...20 mA	Programmable and proportional to conductivity
	Accuracy	0.5% of reading ±0.02 mA
	Insulation	2500 Vac 1 minute
R Load	Load resistance	$R_{Lmax} = \frac{V_{dc}-10}{0,022}$ $R_{Lmax} = 636 \Omega @ V_{dc} = 24 V_{dc}$
Relay output	A and B	Bistable, contact 3A/230 Vac free potential
Power supply	Passive	4...20 mA, 2 wire configuration, 10...35 Vdc see fig. 1
	Active	24 Vac (or 230 Vac on request) -15/+10%, 1 VA, 48...62 Hz see fig. 2
Case DO9766T	External dimensions	120 x 122 x 56 mm (use on the field)
	Protection degree	IP64
Case DO9786T	External dimensions	96 x 96 x 126 mm (panel mounting)
	Protection degree	IP44



Key functions

- PRG** Programming of the parameters is activated by pressing the PRG key plus the ▲ and ▼ keys. The message P1 appears on the display, indicating that the parameter P1 is being programmed. When the PRG key is pressed continuously, the messages P2, P3, P4, P5, P6, P7, P8 and the corresponding parameters are displayed in sequence. After P8 the instrument returns to normal function.
- SET** Key for setting the relay intervention threshold. The ON or OFF symbol appears on the display, indicating the switching on or off threshold of relay A or of relay B.
- °C/°F** If this key is pressed it changes the temperature measuring unit to degrees Celsius or degrees Fahrenheit. When pressed together with the CAL key it activates the manual temperature setting function. If pressed during the conductivity calibration function it quits the calibration function without storing the calibration.
- λ** When pressed together with the CAL key it activates the conductivity calibration function.
- OK** Confirms the programming parameters, or the relay SET values, and stores them.
- CAL** When pressed together with the °C/°F key it activates the manual temperature setting function. When pressed together with the λ key it activates the conductivity calibration function. Key used to confirm conductivity calibration and manual temperature calibration.
- ▲** Key for increasing the value displayed in the parameter programming phase, during the relay SET point programming phase and during the calibration phase.
- ▼** Key for decreasing the value displayed in the parameter programming phase, during the relay SET point programming phase and during the calibration phase.

Setting the relay SET point

- Press the SET button; the ON symbol appears on the display with the letter A to indicate that the value shown corresponds to the switching on threshold of relay A.
- To change this value press the ▲ and ▼ keys.
- Press SET; the OFF symbol appears with the letter A to indicate that the switching off threshold of relay A is being displayed.
- To change this value press the ▲ and ▼ keys.
- Press the SET button; the ON symbol appears on the display with the letter B to indicate that the value shown corresponds to the switching on threshold of relay B.
- To change this value press the ▲ and ▼ keys.
- Press SET; the OFF symbol appears with the letter B to indicate that the switching off threshold of relay B is being displayed.
- To change this value press the ▲ and ▼ keys.
- Press SET, the instrument stores the values and returns to normal function.

NOTE: during the SET point setting phase (symbols ON or OFF lit) the instrument returns to normal function if no key is pressed for 2 minutes.

Manual temperature setting

If the temperature probe is not connected or if the probe is broken the measuring unit °C or °F flashes. In this case it is possible to set the temperature compensation value manually.

- Press the CAL key and the °C/°F key together; the message CAL appears at the bottom of the display.
- Using the ▲ and ▼ keys, set the temperature value corresponding to the temperature of the liquid in which you wish to measure conductivity.
- Press CAL to confirm this value. The message CAL disappears.

Calibration of DO9786T-R1 and DO9766T-R1 transmitters with conductivity probes

- Immerse the probe in the buffer solution used for calibration.
- Press the CAL key and the λ key together; the message CAL appears at the top of the display.
- The instrument can automatically recognize two standard calibration solutions: a 0.1 molar solution of KCl and a 0.01 molar solution of KCl. The instrument proposes the conductivity value as a function of the measured temperature if the temperature probe is connected, or the manually set temperature.

- Using the ▲ and ▼ keys, adjust the conductivity value measured as a function of the liquid temperature.
- Press CAL to confirm this value. The message CAL disappears.

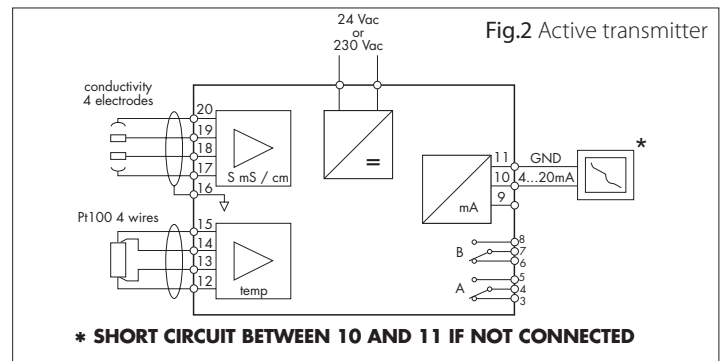
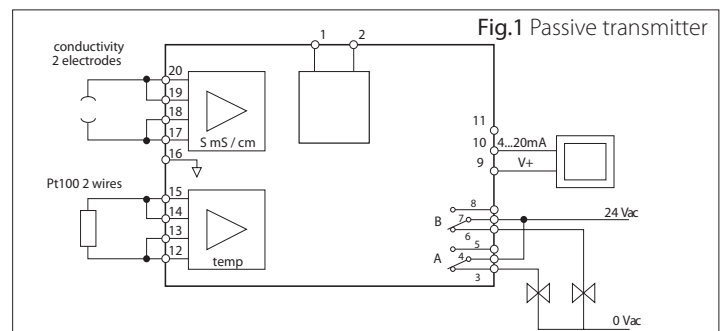
NOTE: If you want to quit without storing the new calibration, press the °C/°F key.

N.B.: Before calibrating the probe set a cell constant close to the cell constant of the probe that you wish to calibrate with key PRG, function P2. If the message E1 appears during calibration, the instrument is indicating that the probe gain is too high; quit programming (°C/°F button) and increase the value of the cell constant. Likewise, if E2 appears, the instrument is indicating that the probe gain is too low; quit calibration and decrease the cell constant. Repeat the calibration operation.

Programming the parameters

- P1 Temperature coefficient. May be set between 0 and 4.00%/°C (0 and 2.22%/°F).
- P2 Cell constant. May be set between 0.01 and 199.9.
- P3 Conductivity value corresponding to 4 mA at output. May be set between 0 and 199.9 mS.
- P4 Conductivity value corresponding to 20 mA at output. May be set between 0 and 199.9 mS.
- P5 Delay time in the intervention of relay A. May be set between 0 and 250 seconds.
- P6 Delay time in the intervention of relay B. May be set between 0 and 250 seconds.
- P7 Reference temperature of the conductivity measurement. May be set between the values 20.0 or 25.0°C.
- P8 Calibration of Pt100 probe and calibration of analog output in current (see Pt100 probe calibration and analog output calibration).

To change one of these parameters (except P8) press key PRG until the message corresponding to the parameter to be changed appears on the screen. Using the ▲ and ▼ keys, bring the parameter displayed to the desired value. Press OK to confirm.



Pt100 probe calibration (Factory calibration to be performed by skilled workers)

- Connect the Pt100 probe to the instrument. Press the PRG key until the message P8 appears on the display.
- Press the CAL key; the message CAL appears at the bottom of the display and the temperature is shown at the top.
- Immerse the Pt100 probe and a precision thermometer for reference in the zero calibration bath. Wait long enough for the reading to become stable.
- Using the ▲ and ▼ keys, adjust the value of the temperature measured by the Pt100 probe so that it corresponds with the value on the reference thermometer.

- Immerse the Pt100 probe and a precision thermometer in the full scale calibration bath. Wait long enough for the reading to become stable.
- Using the ▲ and ▼ keys, adjust the value of the temperature measured by the Pt100 probe so that it corresponds with the value on the reference thermometer.
- Press OK to confirm.

N.B.: If the temperature shown by the instrument is between +12 °C, the instrument calibrates the probe offset, otherwise it calibrates the gain.

Calibrating the analog output (Factory calibration to be performed by skilled workers)

- Press the PRG key until the message P8 appears on the display.
- Connect a precision milliammeter to the analog output.
- Press the CAL key twice; the message CAL appears at the top of the display and the message 4.0 at the bottom, indicating calibration at 4 mA.
- Using the ▲ and ▼ keys, adjust the value of the output current so as to have an indication of 4,000 mA on the precision milliammeter.
- Press the CAL key; the message CAL appears at the top of the display and the message 20.0 at the bottom, indicating calibration at 20 mA.
- Using the ▲ and ▼ keys, adjust the value of the output current so as to have an indication of 20,000 mA on the precision milliammeter.
- Press OK to confirm.

Display - Symbol description

- °C indicates that the value shown is in °C.
- °F indicates that the value shown is in °F.
- μS indicates that the unit of the value shown is micro Siemens.
- mS indicates that the unit of the value shown is milli Siemens.
- A indicates that the relay A is in closed status.
- B indicates that the relay B is in closed status.
- ON indicates that the value shown corresponds to the closing thresholds of the contacts of relay A or B.
- OFF indicates that the value shown corresponds to the opening thresholds of the contacts of relay A or B.

Error signals

- OFL** Warning which appears during measurement when the value to be displayed is out of scale
- E1** Error warning which appears during conductivity calibration to indicate that the probe gain is too high. Press P2 to increase the cell constant value.
- E2** Error warning which appears during conductivity calibration to indicate that the probe gain is too low. Press P2 to decrease the cell constant value.
- E3** Error warning which appears to indicate that the instrument is unable to recognize the buffer solution used for automatic calibration. Press the ▲ and ▼ to make this indication disappear.
- E4** Reading error on the EEPROM.

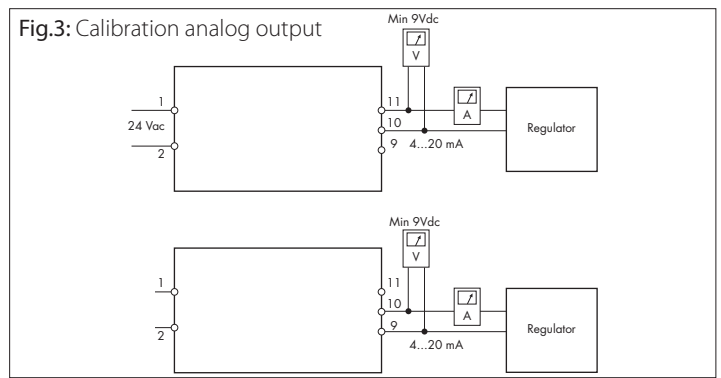
APPENDIX

Table of compatibility between range and sensor

Conductivity range	Nominal cell constant			
	0.01 ÷ 0.2	0.2 ÷ 2	2 ÷ 20	20 ÷ 199.9
0 ÷ 19.99 μS	√			
0 ÷ 199.9 μS	√	√		
0 ÷ 1999 μS	√	√	√	
0 ÷ 199.9 mS	√	√	√	√
0 ÷ 19.99 mS		√	√	√
0 ÷ 199.9 mS			√	√
0 ÷ 1999 mS				√

Temperature sensor

Temperature	Pt100	Temperature	Pt100
-50°C	80.25 Ω	100 °C	138.50 Ω
-25°C	90.15 Ω	125 °C	147.94 Ω
0°C	100.00 Ω	150 °C	157.32 Ω
25°C	109.73 Ω	175 °C	166.62 Ω
50°C	119.40 Ω	199 °C	175.47 Ω
75°C	128.98 Ω		



Calculating the temperature coefficient of a solution

If the temperature coefficient of the solution is not known, it may be determined using the DO9786T-R1 or DO9766T-R1.

- Set the temperature coefficient at 0.0%/°C (parameter P1)
- The following measurements should be taken as close as possible to the work point, between 5 °C and 70 °C, for greater accuracy.
- Immerse the probe in the testing liquid. Wait for the measurement to become stable.
- Take note of the temperature and of the conductivity.
- Increase the solution temperature by at least 10 °C.
- Take note of the temperature and of the conductivity.
- Calculate the temperature coefficient using the following formula:

$$\alpha = \frac{(G_x - G_y) \times 100\%}{G_y(T_x - 20) - G_x(T_y - 20)} \quad (\text{reference temperature } 20^\circ\text{C})$$

Where:

- G_x conductivity at temperature T_x
- G_y conductivity at temperature T_y

N.B.: if the reference temperature is 25 °C, replace 20 with 25.

- Set the temperature coefficient with the value calculated as above (parameter P1).

Calibration of the instrument for measuring conductivity

The conductivity measurement depends strongly on the temperature of the liquid that is to be measured; this relationship must be considered during calibration.

Calibration of the instrument alone by means of a precision resistance

This is a sure and accurate method for calibrating the instrument alone, but it does not allow for the variations of the cell constant that may occur, nor of the state of efficiency and cleanness of the cell.

The precision resistance used for calibration will be chosen according to the scale that you want to calibrate. Typical values are the following:

Conductivity	Resistance
100,0 μS	10.000 Ω
500,0 μS	2.000 Ω
1000 μS	1.000 Ω
5000 μS	200 Ω
10,00 mS	100 Ω
50,00 mS	20 Ω
100,0 mS	10 Ω
500,0 mS	2 Ω
1000 mS	1 Ω

The precision resistance will be connected to the end of the cable that connects the probe to the instrument. This ensures greater accuracy of calibration. Disable the temperature compensation α_T during the calibration of the instrument with the precision resistances.

Calibration with standard solutions

In this case too, for the calibration of the instrument, cable and measuring probes in a standard solution, the greatest attention must be paid to the temperature of the solutions and the cleanness of the measuring cell. It is advised not to carry out calibration below 500 μS/cm. Solutions with low conductivity must be kept closed in their containers. Contact with the air increases their value due to the absorption of CO₂.

The regulations for the preparation of standard solutions with a base of KCl dissolved in water with a high degree of purity supply the method and percentages of KCl and water to be mixed.

Care and maintenance of the conductivity cell

In conductivity measurement systems in industrial plants, if the installation is correctly made, readings are generally reliable for a long time. The important thing is to carry out correct, programmed maintenance of the measuring cell. Abrasion of the cable due to continued swinging movements must be avoided, as must the formation of deposits and scale on the cell which can change its geometrical structure. The cell must always be immersed in the liquid that is to be measured.

In the industrial field, measurements may range from highly pure water to sewage or water contaminated by corrosive substances. It is good practice to check the compatibility of the materials of which the cell and the connecting cable are made with the liquid in which the measurement is to be taken. Check that there are no floating bodies, suspended granules that may be more or less conductive, or which could get stuck inside the cell, thus leading to incorrect measurements.

To clean the cell use detergents or substances suitable for the material of which the cell is made.

Selecting the cell constant and installation

The measurement range of the liquid to be examined determines the choice of the cell constant to be used.

Installation of the cell will vary according to the application. On the whole, the following points must be considered:

- Choose the correct cell and cell constant, suitable for the application.
- Use suitable materials, cable, cell, supports, so as to resist corrosion and the influence of atmospheric agents.
- The sensor/cell must be firmly fixed, in a place where they are easily accessible for maintenance.
- The liquid in which the sensor is immersed must be a representative part of the whole that is to be measured.
- There must be a moderate flow of liquid so that an updated sample of liquid arrives at the electrodes. Excessive movement or flow causes turbulence and air bubbles between the electrodes. As an air bubble is not conductive, it modifies the volume of the cell and changes the constant.
- Install the sensor in such a way that sludge or particles of material cannot be deposited inside it.
- If installed in containers where high currents are circulating, the conductivity cell may present measuring problems.
- The maintenance and cleaning interval depends on the quality of the liquid in which the cell is installed.

ORDERING CODES

DO9786T-R1: Conductivity transmitter 4...20 mA passive or active, power supply 24 Vac (230 Vac on request - **DO9786TR-R1**) with double display 96 x 96 mm, **for panel mounting.**

DO9766T-R1: Conductivity transmitter 4...20 mA passive or active, power supply 24 Vac (230 Vac on request - **DO9766TR-R1**) with double display 122 x 120 mm, **for use on the field.**

HD8700C: ACCREDIA ISO 17025 certified standard solutions kit: 0.001 mol/l (147 $\mu\text{S}/\text{cm}$ @ 25 °C) + 0.01 mol/l (1413 $\mu\text{S}/\text{cm}$ @ 25 °C) + 0.1 mol/l (12880 $\mu\text{S}/\text{cm}$ @ 25 °C). Two 50 ml bottles for each type (6 bottles in total).

CPxxT: Extension cable to connect the electrode SPTKI10 to the transmitter; Available length 5 m (CP5T), 10 m (CP5/10T) or 20 m (CP5/20T). S7 on one side, wires on the other side.

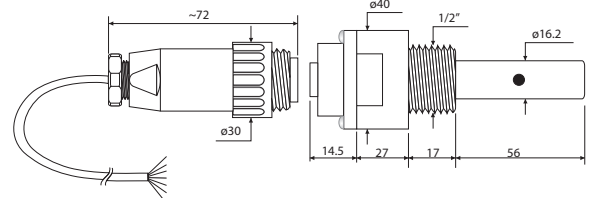
HD882/L106: Pt100 Class A temperature probe for process, measuring range 0...+250 °C. Stem \varnothing 6 x 600 mm (upon request, version with stem \varnothing 4 mm). Cable length 3 m.

HD882DM100/600: Pt100 Class A temperature probe, measuring range -50...+450 °C. For process, DIN B head, stem length = 600 mm (upon request, version with stem L= 300 mm).

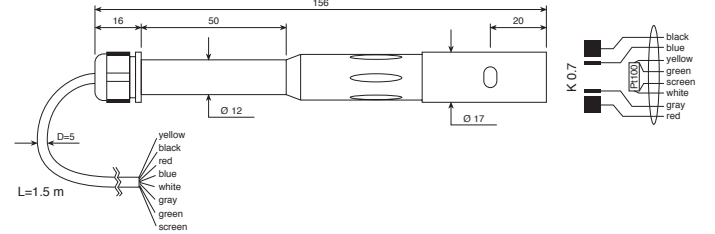
Industrial conductivity probes

Probe code	Cell constant	Measuring range	Temperature range	Material	Electrodes	Temperature sensor	Max. pressure	Connection
SPT401.001/W	K=0.01	0.04...20 $\mu\text{S}/\text{cm}$	0...120 °C	AISI 316 - PTFE	2 AISI 316	Pt100 4-wire* * with supplied cable	12 bar	4-pole connector cable - free wires
SPT86	K=0.7	5 μS ...20 mS	0...90 °C	PBT	4 platinum	Pt100 4-wire	6 bar	1.5 m cable
SPTKI10	K=1	100 μS ...200 mS	0...100 °C	Vetro	2 platinum	-	6 bar	S7
SPTKI11	K=1	100 μS ...10 mS	0...80 °C	Ryton	2 platinum	Pt100 4-wire	6 bar	5 m cable - free wires
SPTKI12	K=0.1	1 μS ...1 mS	0...80 °C	Ryton	2 platinum	Pt100 4-wire	6 bar	5 m cable - free wires
SPTKI13	K=10	10 μS ...200 mS	0...80 °C	Ryton	2 platinum	Pt100 4-wire	6 bar	5 m cable - free wires

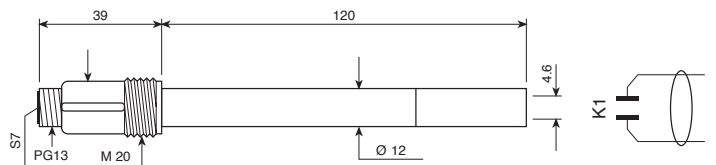
SPT401.001/W: Combined conductivity and temperature probe with 2 stainless steel AISI316 electrodes, **cell constant 0.01**. Probe measuring range 0.04...20 μS , 0...120 °C. 4-pole connector. Supplied with cable with 4-pole connector on one side and free wires on the other side.



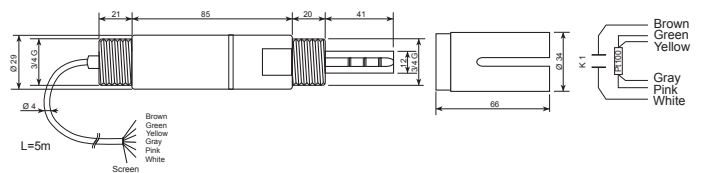
SPT86: 4-electrode combined conductivity and temperature probe with Pt100 sensor. **Cell constant K= 0.7**, 1.5 m cable, temperature working range 0...90°C.



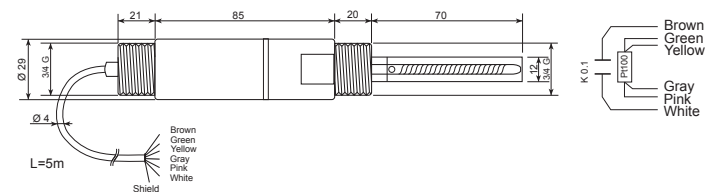
SPTKI10: Industrial conductivity probe in glass with 2 platinum electrodes, S7 - PG13.5 connector, **cell constant K = 1**, temperature working range 0...100 °C.



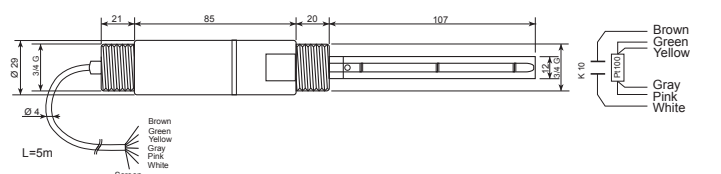
SPTKI11: Combined industrial conductivity and temperature probe in Rytron with 2 platinum electrodes, 3/4" BSP connector, 5 m cable, **cell constant K = 1**, 2-wire Pt100, temperature working range 0...80 °C.



SPTKI12: Combined industrial conductivity and temperature probe in Rytron with 2 platinum electrodes, 3/4" BSP connector, 5 m cable, **cell constant K = 0.1**, 4-wire Pt100, temperature working range 0...80 °C.



SPTKI13: Combined industrial conductivity and temperature probe in Rytron with 2 platinum electrodes, 3/4" BSP connector, 5 m cable, **cell constant K = 10**, 4-wire Pt100, temperature working range 0...80 °C.



WARRANTY

The manufacturer is required to respond to the "factory warranty" only in those cases provided by Legislative Decree 6 September 2005 - n. 206. Each instrument is sold after rigorous inspections; if any manufacturing defect is found, it is necessary to contact the distributor where the instrument was purchased from. During the warranty period (24 months from the date of invoice) any manufacturing defects found will be repaired free of charge. Misuse, wear, neglect, lack or inefficient maintenance as well as theft and damage during transport are excluded. Warranty does not apply if changes, tampering or unauthorized repairs are made on the product. Solutions, probes, electrodes and microphones are not guaranteed as the improper use, even for a few minutes, may cause irreparable damages. The manufacturer repairs the products that show defects of construction in accordance with the terms and conditions of warranty included in the manual of the product. For any dispute, the competent court is the Court of Padua. The Italian law and the "Convention on Contracts for the International Sales of Goods" apply

TECHNICAL INFORMATION

The quality level of our instruments is the result of the continuous product development. This may lead to differences between the information reported in the manual and the instrument you have purchased. We reserves the right to change technical specifications and dimensions to fit the product requirements without prior notice.

DISPOSAL INFORMATION



Electrical and electronic equipment marked with specific symbol in compliance with 2012/19/EU Directive must be disposed of separately from household waste. European users can hand them over to the dealer or to the manufacturer when purchasing a new electrical and electronic equipment, or to a WEEE collection point designated by local authorities. Illegal disposal is punished by law.

Disposing of electrical and electronic equipment separately from normal waste helps to preserve natural resources and allows materials to be recycled in an environmentally friendly way without risks to human health.

